

MODEL 2033SCT/4066SCT **MIGHTY MINIJACKS**

CAPACITY:

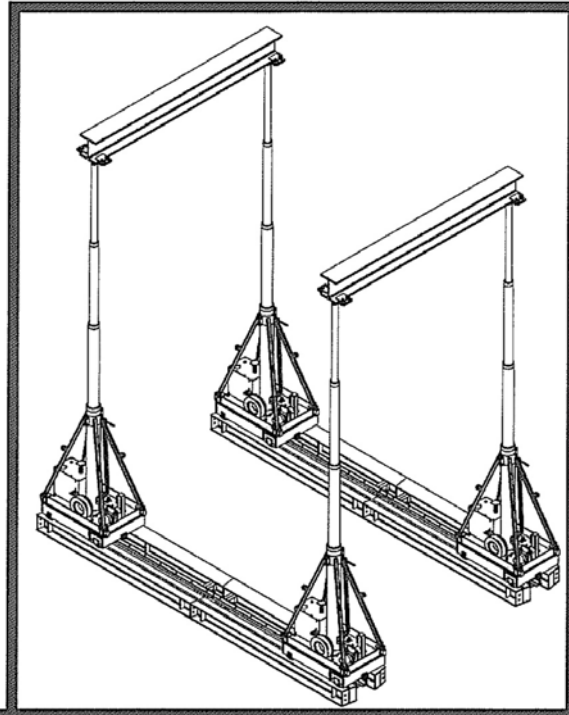
2 Point - MODEL 2033SCT

33 (30) tons to 11'10" (4880 mm)
29 (26) tons to 16'2" (4927 mm)
25 (22) tons to 20'6" (6248 mm)

Max. Operating PSI: 2100 (145 bar)

BASE DIMENSIONS:

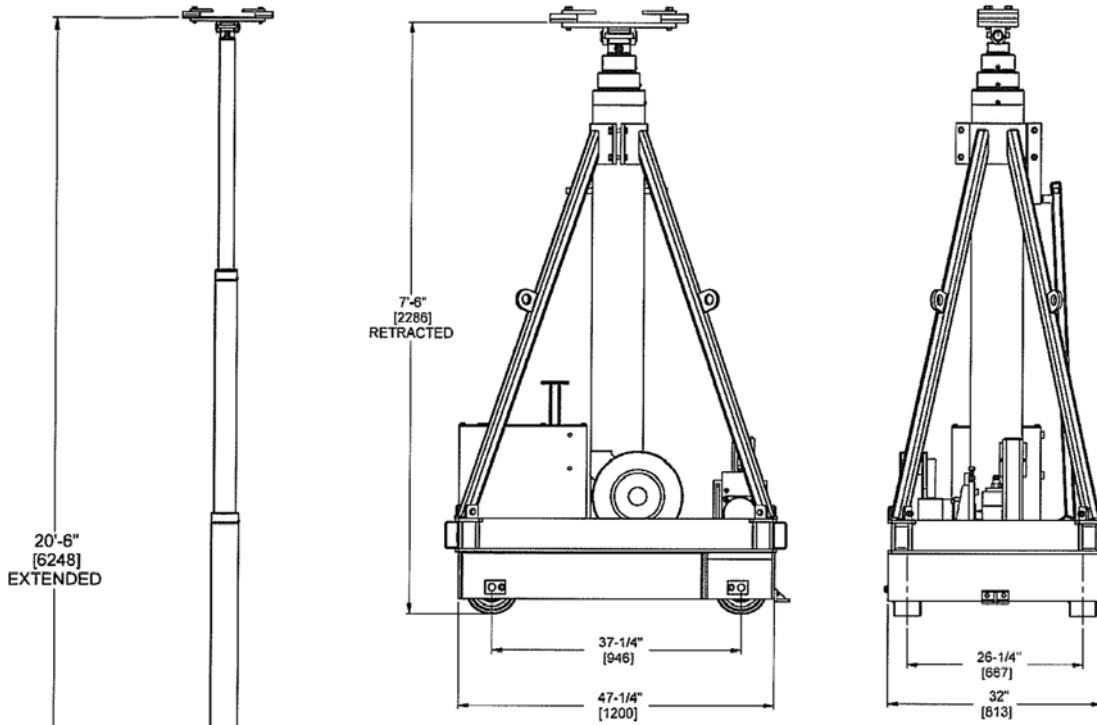
Length: 51" (1295 mm)
Width: 32" (711 mm)
Height Retracted: 7'6" (2286 mm)
Weight: 2300 lbs. (1045 kg)



STANDARD FEATURES

- Double Acting Cylinders
- Safety Holding Valves
- Self Contained Hydraulics
- Pendant Control
- Positioning Handle
- 220 volt / 60 Hz / 10 amp draw
- 19 Gallon (72 l) Reservoir
- 1 g.p.m. Pump

LIFT SYSTEMS, INC.		TEL: +1-309-764-9842
OFFICE: 1505 - 7th Street East Moline, IL 61244	MAILING ADDRESS: P.O. Box 906 Moline, IL 61266	FAX: +1-309-764-9848
		EMAIL: liftit@lift-systems.com
		WEB: www.lift-systems.com



Metric dimensions [mm]

MODEL 2033SCT / 4066SCT

OPTIONAL EQUIPMENT AND FEATURES

- Powered Drives
- Lifting Links
- Runway Track
- Lifting Beams with Certified Load Charts
- Side Shift Systems
- Poly Surfaced Wheels
- CARL Computerized Synchronization System
- Radio Remote Control
- Training Technicians

LIFT SYSTEMS, INC.

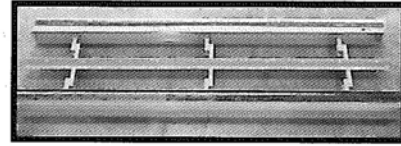
OFFICE:
1505 - 7th Street
East Moline, IL 61244

MAILING ADDRESS:
P.O. Box 906
Moline, IL 61266

TEL: +1-309-764-9842
FAX: +1-309-764-9848
EMAIL: liftit@lift-systems.com
WEB: www.lift-systems.com

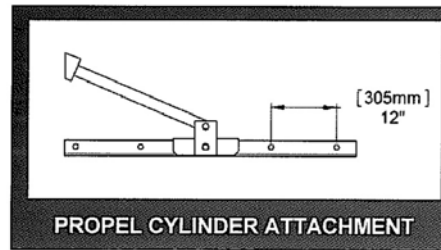
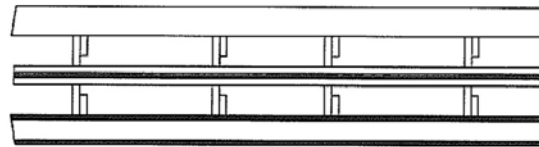
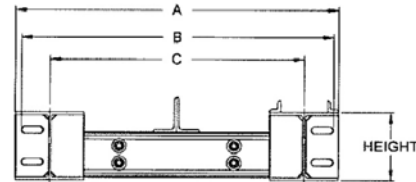


LIFT SYSTEMS, INC.
**ADJUSTABLE WIDTH
6" RUNWAY TRACK**



SPECS.	HEIGHT	6 3/8"
	WEIGHT	65 lbs. per foot
	STANDARD LENGTHS	10'
	END STYLE	BEVELED
DIMENSIONS WHEN CONFIGURED FOR MODEL 2020SC	A	28 1/4"
	B	28"
	C	24"
DIMENSIONS WHEN CONFIGURED FOR 2033SC 2033SCT	A	32 1/4"
	B	32"
	C	28"
DIMENSIONS WHEN CONFIGURED FOR 4100 4160 42A 4240	A	36 1/4"
	B	36"
	C	32"

**OPTIONAL EQUIPMENT
FOR MODELS
2020SC, 2033SC, 2033SCT,
4100, 4160, 42A, 4240**



LIFT SYSTEMS, INC.

OFFICE: 1505 - 7th Street East Moline, IL 61244	MAILING ADDRESS: P.O. Box 906 Moline, IL 61266	TEL: +1-309-764-9842 FAX: +1-309-764-9848 EMAIL: liftit@lift-systems.com WEB: www.lift-systems.com
--------------------------------------------------------------	-------------------------------------------------------------	-----------------------------------------------------------------------------------------------------------------------------------------